



HEWN

THE BETTER WAY TO FLOOR

STONEFORM[®]

SUPERIOR FLOORING CRAFTED FROM STONE

ANGELA ROSE COLLECTION

TECHNICAL INFORMATION

- STONEFORM® flooring designed by Angela Rose
- 9" x 72" - 27 ft² per carton (\$5.50 / ft²)
- 5 mm core + 1.5 mm acoustical IXPE pad
- Matte finish embossed in register
- 30 mils / .75 mm ceramic bead infused anti-scratch wear layer
- Enhanced beveled edge
- 10 year commercial warranty
- 20 year residential warranty
- Unilin locking system
- SCS FloorScore® certified
- Waterproof
- ASTM E492-09 impact sound conduction IIC 57

ELITE SERIES - ANGELA ROSE



COLOR: **LIDO**



COLOR: **ELK**



COLOR: **MENDOCINO**



COLOR: **TOPANGA**



COLOR: **KNOX**



COLOR: **HENDER**



BECKI OWENS COLLECTION

TECHNICAL INFORMATION

- STONEFORM® flooring designed by Becki Owens
- 9" x 72" - 27 ft² per carton (\$5.50 / ft²)
- 5 mm core + 1.5 mm acoustical IXPE pad
- Matte finish embossed in register
- 30 mils / .75 mm ceramic bead infused anti-scratch wear layer
- Enhanced beveled edge
- 10 year commercial warranty
- 20 year residential warranty
- Unilin locking system
- SCS FloorScore® certified
- Waterproof
- ASTM E492-09 impact sound conduction IIC 57

ELITE SERIES - BECKI OWENS



COLOR: **WEATHERED**



COLOR: **GOLDEN**



COLOR: **ANTIQUE**



COLOR: **HONEY**



COLOR: **RUSTIC**



COLOR: **BARE**



STONEFORM[®] COLLECTION

TECHNICAL INFORMATION

- 9" x 72" - 27 ft² per carton (\$5.00 / ft²)
- 5 mm core + 1.5 mm acoustical IXPE pad
- Matte finish embossed in register
- 30 mils / .75 mm ceramic bead infused anti-scratch wear layer
- Enhanced beveled edge
- 10 year commercial warranty
- 20 year residential warranty
- Unilin locking system
- SCS FloorScore[®] certified
- Waterproof
- ASTM E492-09 impact sound conduction IIC 57

ELITE SERIES



COLOR: **DADO**



COLOR: **DOVETAIL**



COLOR: **PATINA**



COLOR: **GRAIN**



COLOR: **BEAM**



COLOR: **PALE**



COLOR: **TONE**



COLOR: **JOIN**

STONEFORM[®] COLLECTION

TECHNICAL INFORMATION

- 9" x 60" - 33.60 ft² per carton (\$4.50 / ft²)
- 7" x 60" - 23.70 ft² per carton (\$6.38 / ft²)
- 5 mm core + 1.5 mm acoustical IXPE pad
- Matte finish natural embossing
- 20 mils / .5 mm Ceramic bead infused anti-scratch wear layer
- Enhanced beveled edge
- 10 year light commercial warranty
- 20 year residential warranty
- Unilin locking system
- SCS FloorScore[®] certified
- Waterproof
- ASTM E492-09 impact sound conduction IIC 57

PREMIUM SERIES



COLOR: **NATURAL**



COLOR: **CLOUD**



COLOR: **LAUREL**



COLOR: **CAYENNE**



COLOR: **BURL**



COLOR: **BRIDLE**



COLOR: **WENGE**



COLOR: **MORTISE**



COLOR: **KERF**



COLOR: **GUSSET**



COLOR: **HAUNCH**



COLOR: **MARQUET**

STONEFORM[®] COLLECTION

TECHNICAL INFORMATION

- 9" x 60" - 33.60 ft² per carton (\$4.50 / ft²)
- 7" x 60" - 23.70 ft² per carton (\$6.38 / ft²)
- 5 mm core + 1.5 mm acoustical IXPE pad
- Matte finish natural embossing
- 20 mils / .5 mm Ceramic bead infused anti-scratch wear layer
- Enhanced beveled edge
- 10 year light commercial warranty
- 20 year residential warranty
- Unilin locking system
- SCS FloorScore[®] certified
- Waterproof
- ASTM E492-09 impact sound conduction IIC 57

PREMIUM SERIES (CONTINUED)



COLOR: **NORMITE**



COLOR: **RYOBA**



COLOR: **STROP**



COLOR: **GATELEG**



STONEFORM® COLLECTION

TECHNICAL INFORMATION

- 7" x 60" - 29.7 ft² per carton (\$4.00 / ft²)
- 7" x 48" - 28.5 ft² per carton (\$4.17 / ft²)
- 4 mm core + 1.5 mm acoustical IXPE pad
- Matte finish natural embossing
- 12 mils / .5 mm ceramic bead infused anti-scratch wear layer Micro beveled edge
- 10 year multifamily warranty
- 20 year residential warranty
- Unilin locking system
- SCS FloorScore® certified
- Waterproof
- ASTM E492-09 impact sound conduction IIC 57

SELECT SERIES



COLOR: **NATURAL**



COLOR: **PATINA**



COLOR: **GRAIN**



COLOR: **HEATHER**



COLOR: **CLOUD**



COLOR: **LAUREL**



COLOR: **CAYENNE**



COLOR: **BEAM**



COLOR: **PALE**



COLOR: **TONE**



COLOR: **JOIN**



COLOR: **BURNISH**

STONEFORM® COMPOSITION

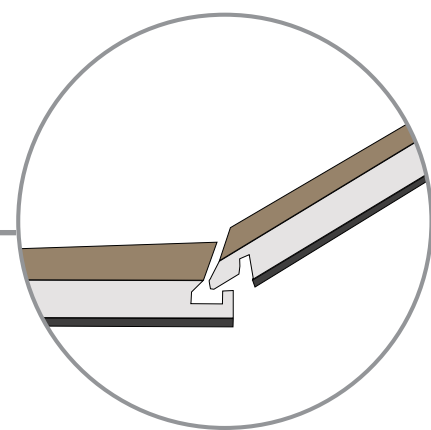


CERAMIC BEAD INFUSED WEAR LAYER

DESIGN CURATED DECOR

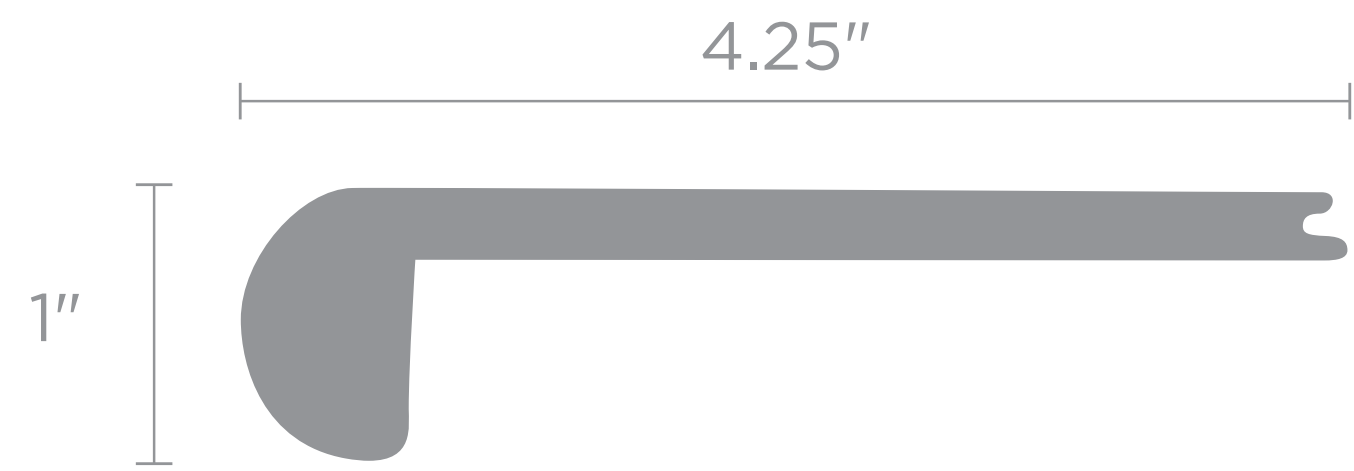
PROPRIETARY STONEFORM® BLEND COMPOSITE CORE

1.5 MM IXPE SOUND ABSORPTION PADDING

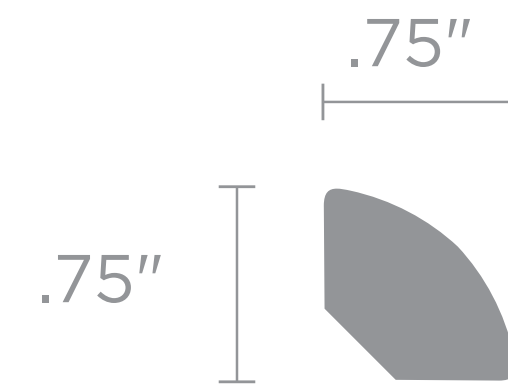


UNILIN LOCKING SYSTEM

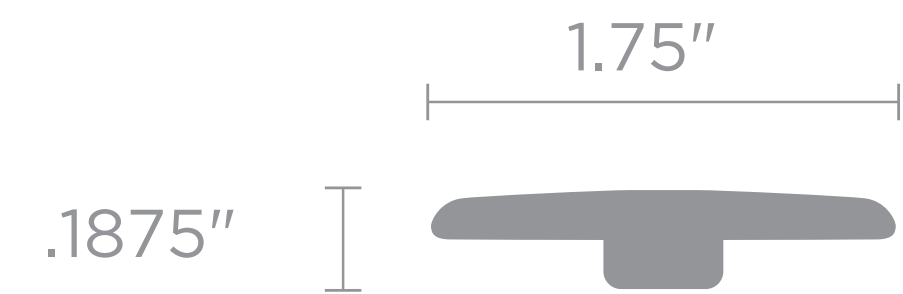
STONEFORM[®] TRANSITIONS



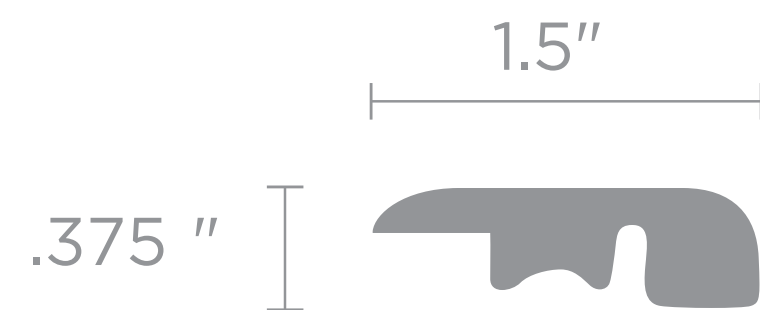
FLUSH MOUNT STAIR NOSE



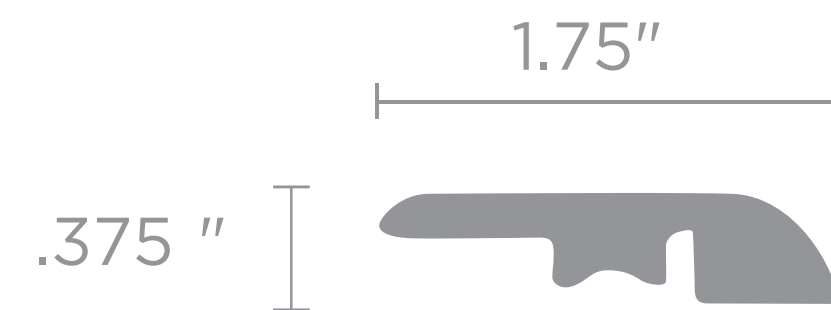
QUARTER ROUND



T MOLDING



END CAP



REDUCER



HEWN

THE BETTER WAY TO FLOOR

PHONE 866.788.9559

EMAIL CUSTOMERSERVICE@HEWNFLOOR.COM

WEB HEWNFLOOR.COM